

FLI structures

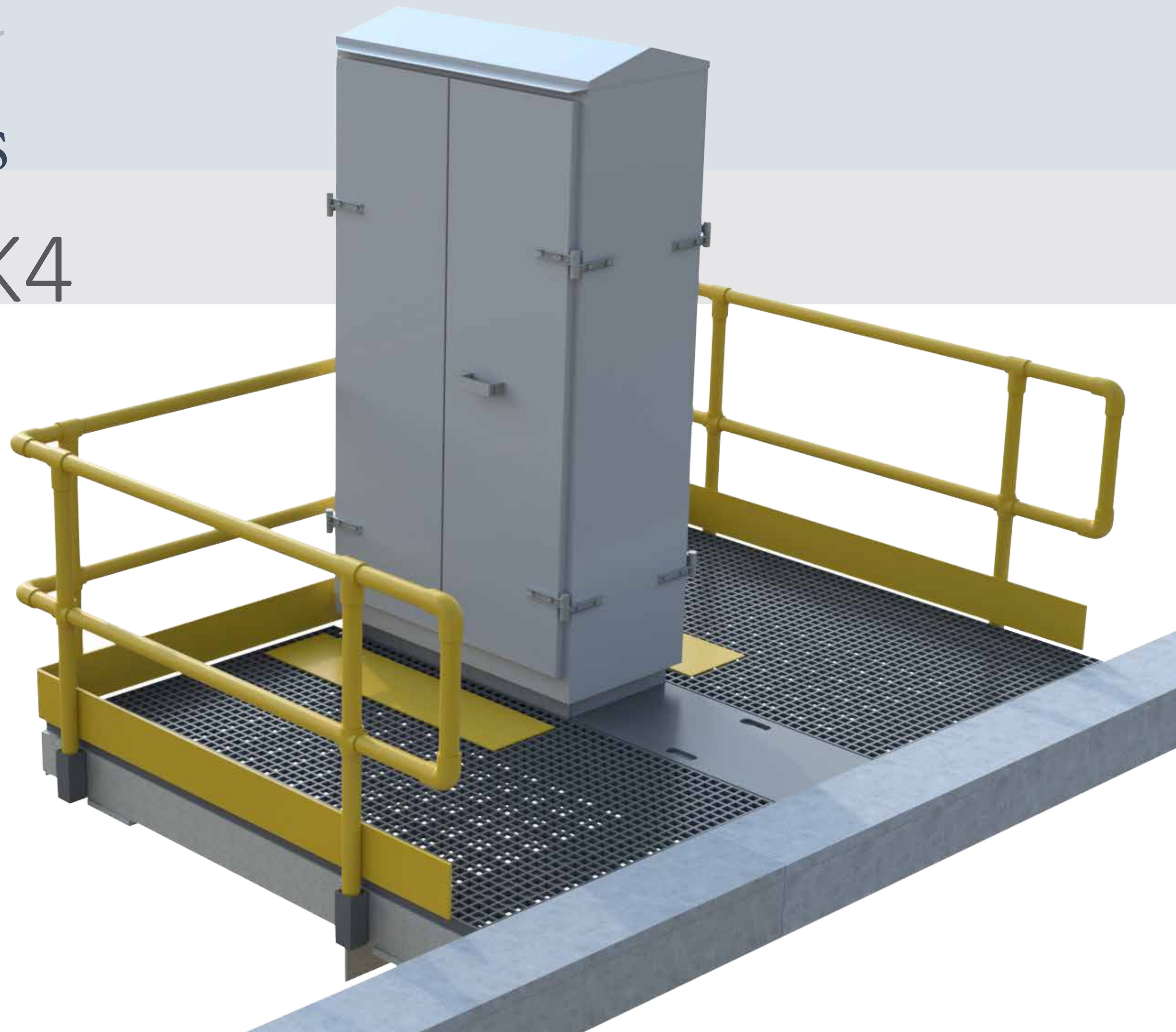
LOC Staging MK4

Compact design 1.8m x 2.8m.

Lightweight steel & GRP.

Low cost.

Quick & easy to install.



Sales@fli.co.uk

01452 722200

FLI structures

LOC Staging MK4

Direct connection to cable trough.

No front handrail on embankment installs.

GRP handrail & flooring.

In-built firebox can be accessed from above.

Rationalised fasteners simplifies installation.



FLI structures

LOC MK4 Screw Piles

Group of 4 lightweight \varnothing 88mm screw pile foundations.

Installed either using an RRV or with a hand held kit.



FLI structures

LOC MK4 Single Screw Pile

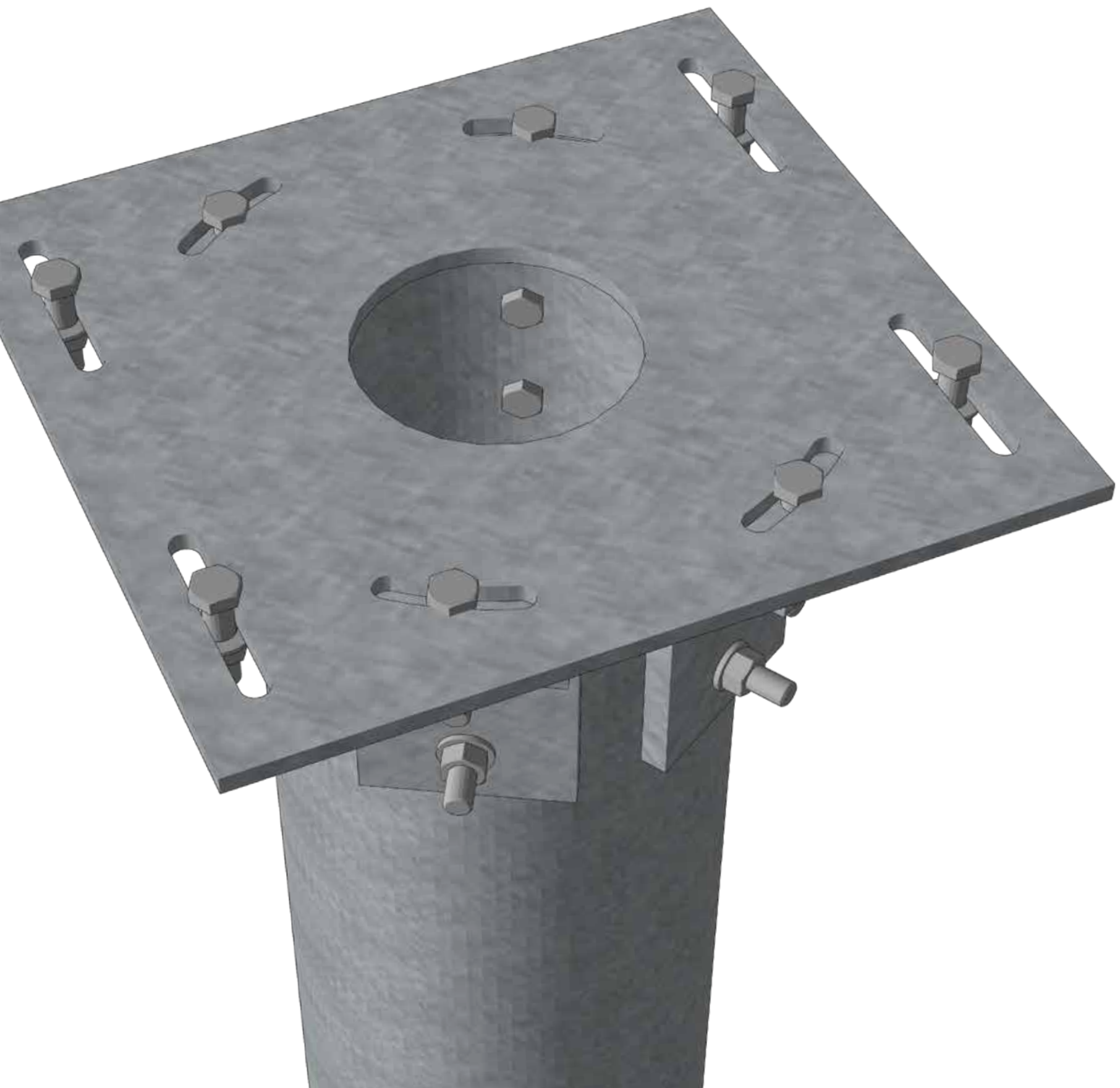
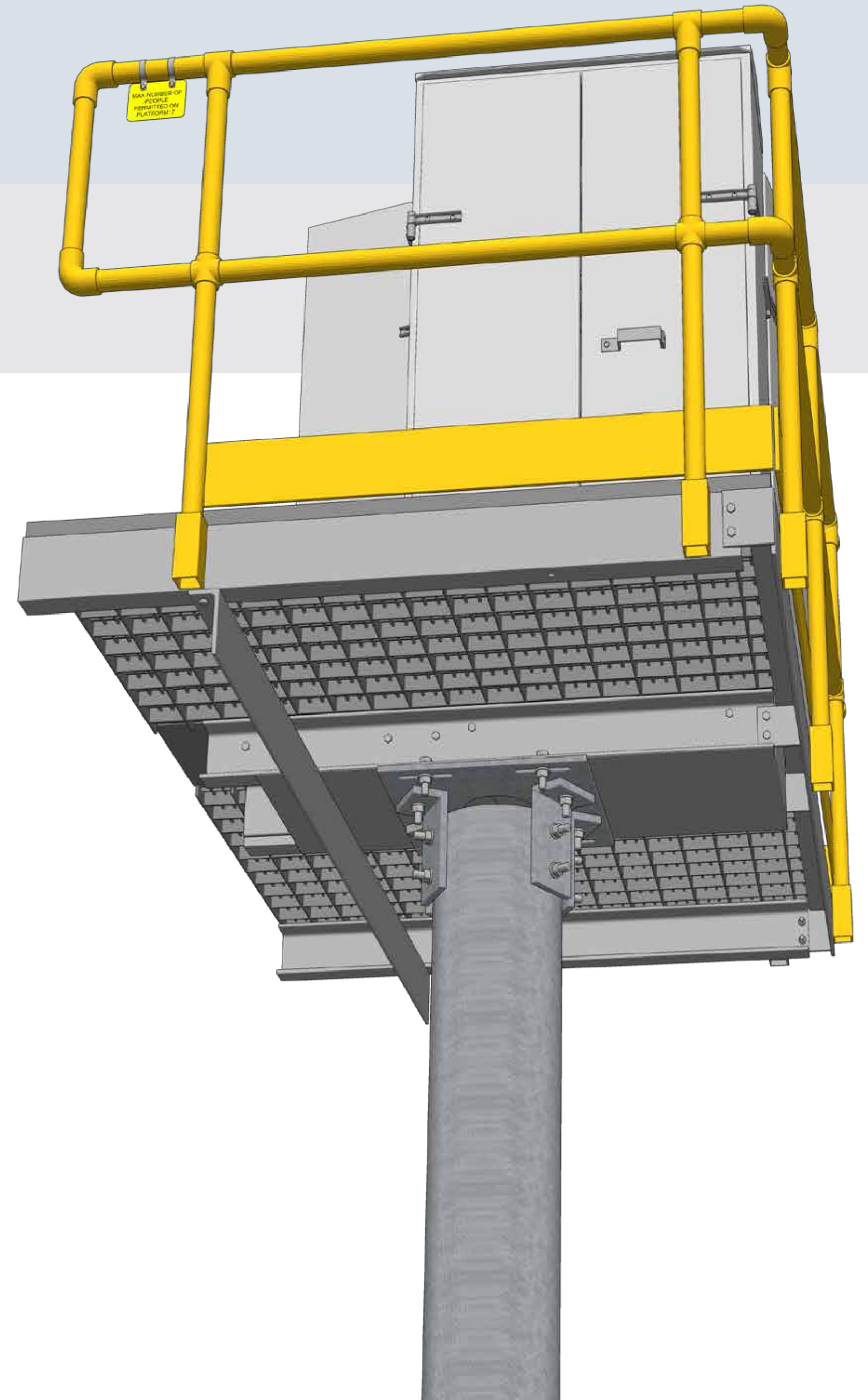


Image shows a \varnothing 355mm screw pile foundation.

Interface plate included.

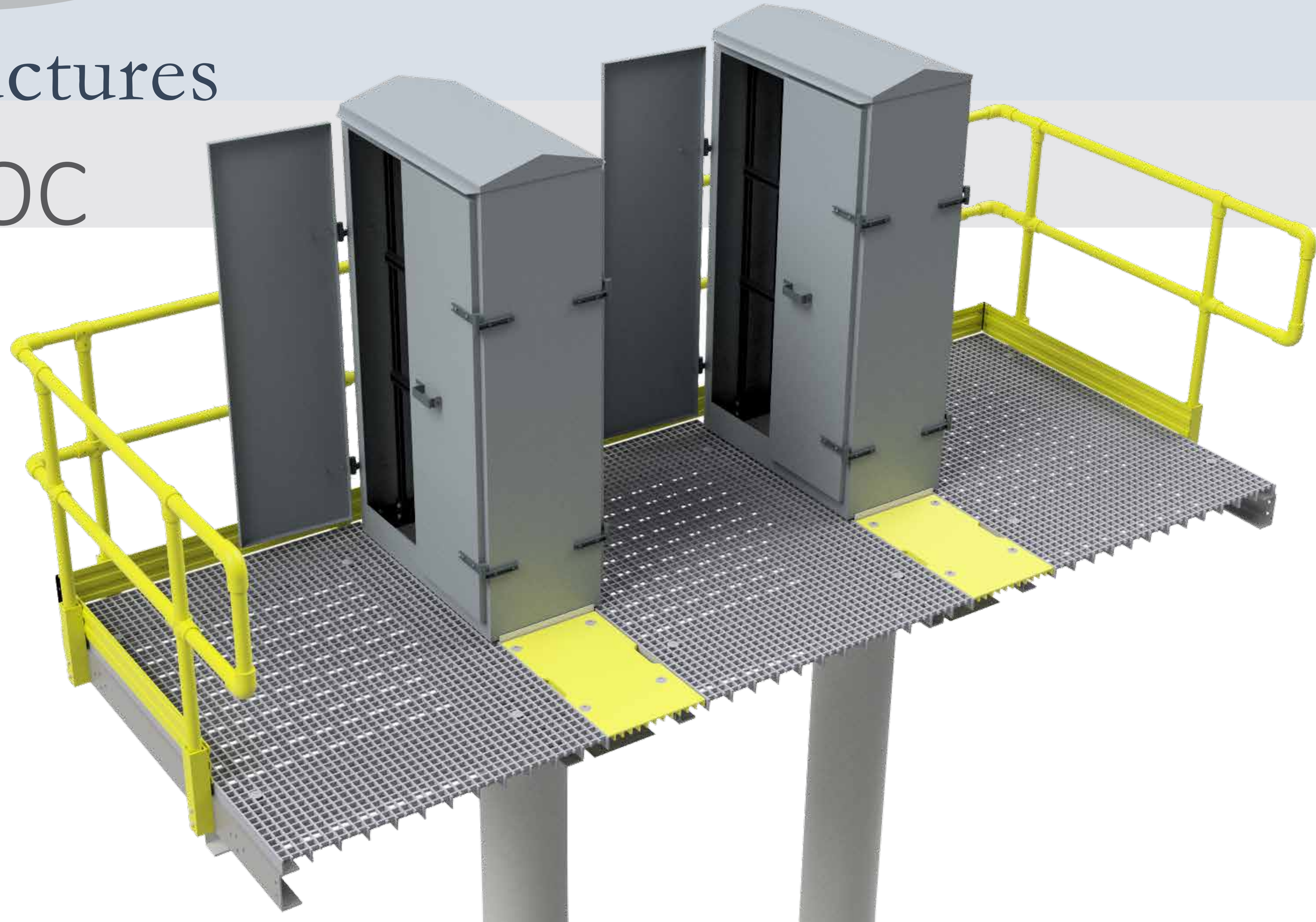
Pile & LOC staging can be installed in a single shift.

Reduced time on site, enhances site safety.



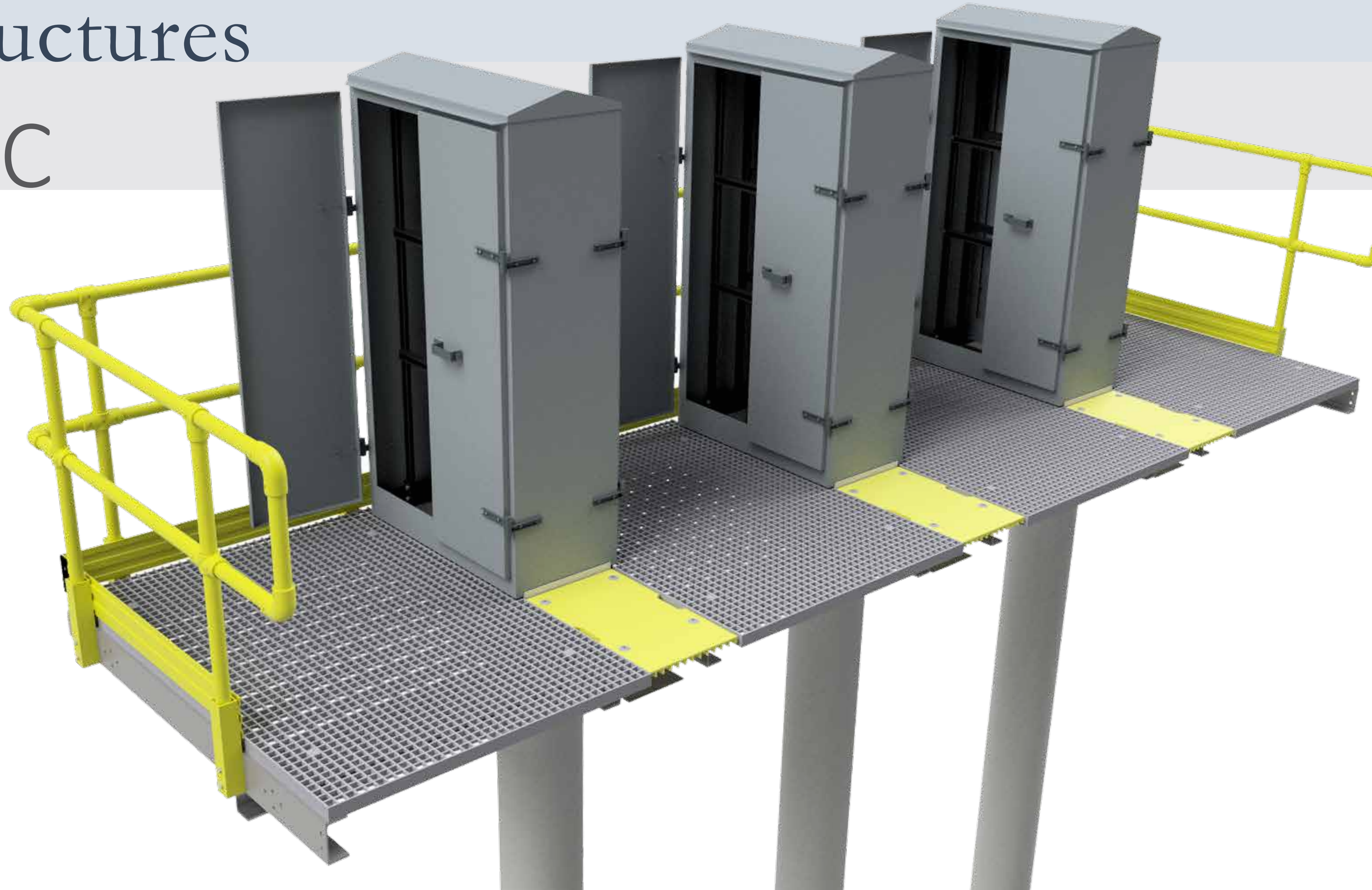
FLI structures

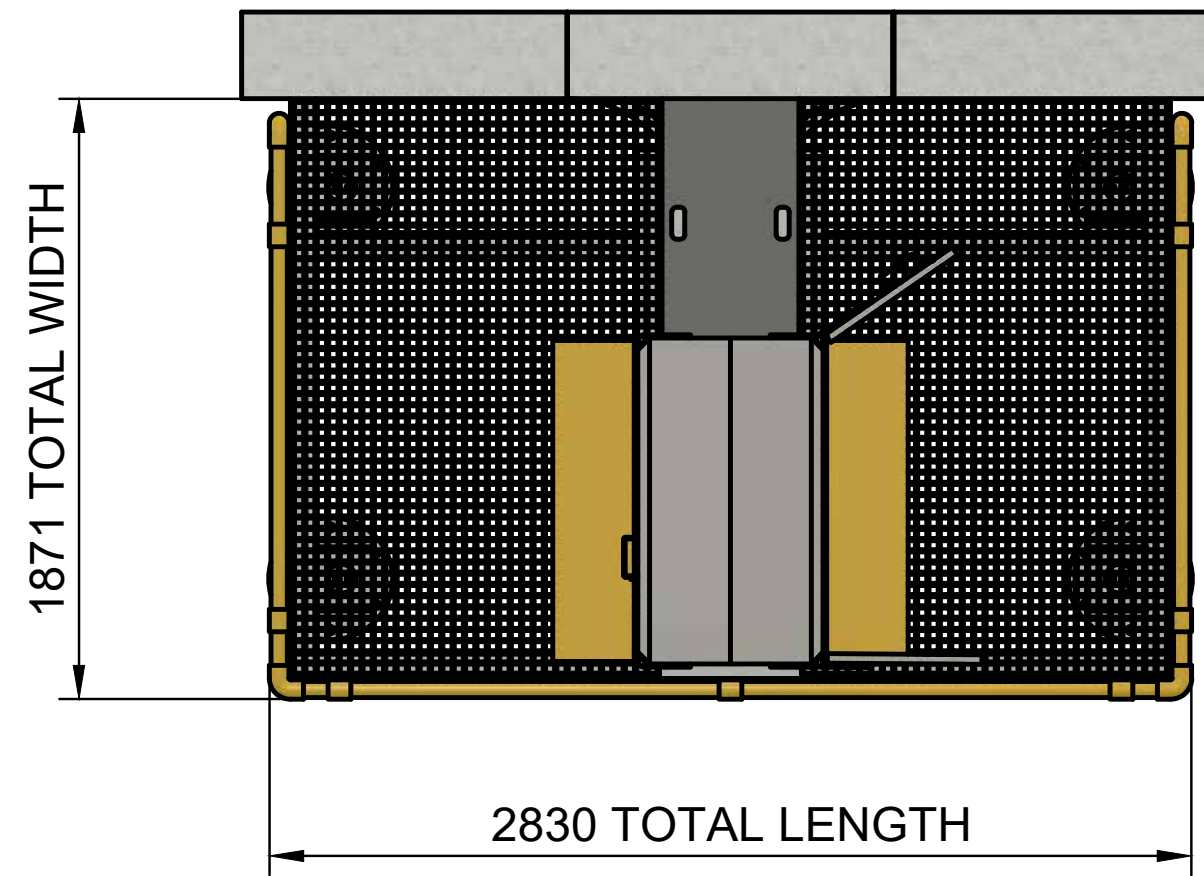
Double LOC



FLI structures

Triple LOC





LOC CABINET

HANDRAILING

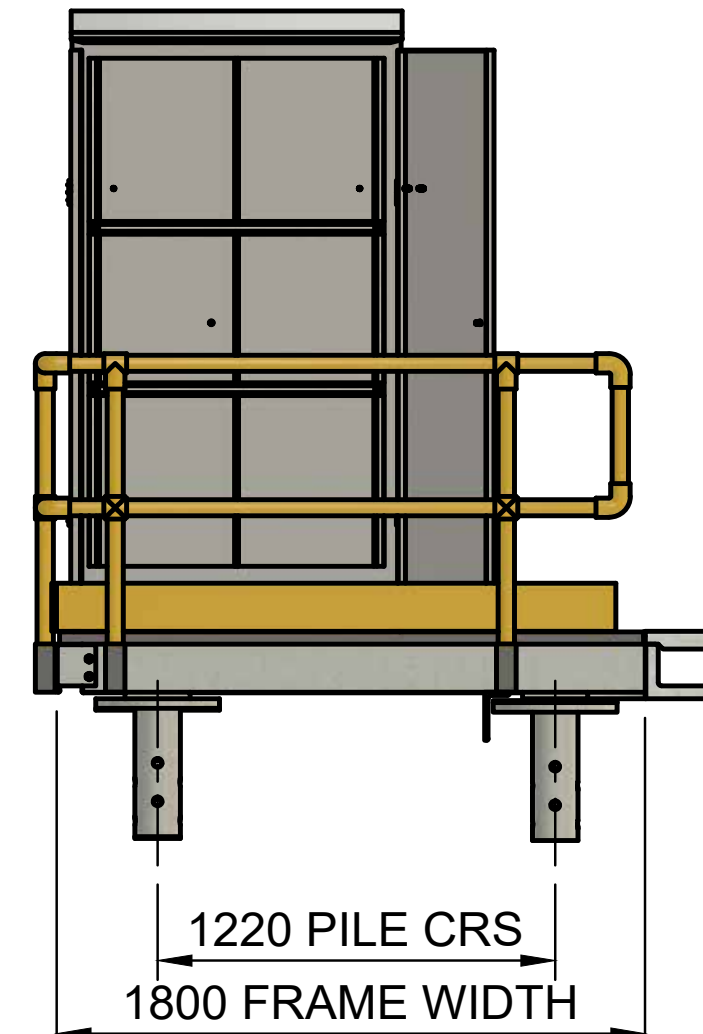
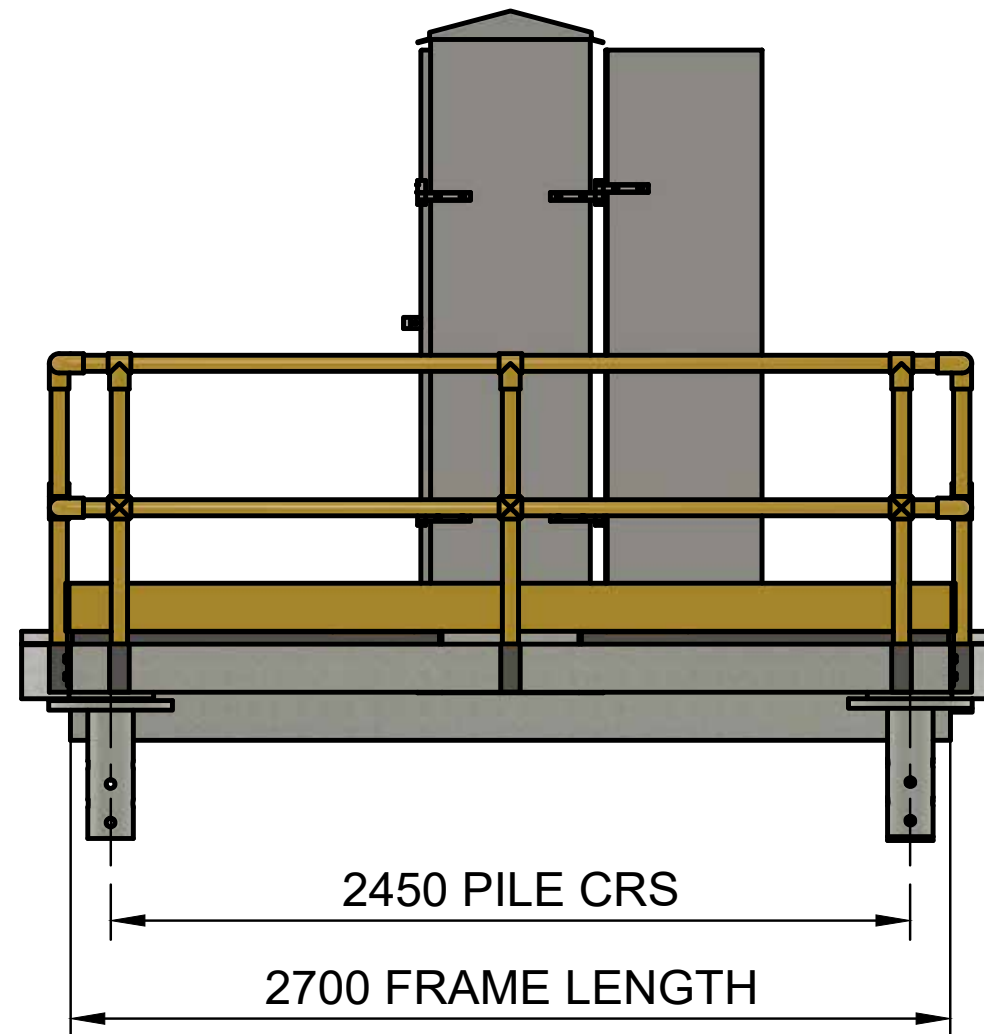
PILE CAPS (INDICATIVE)

PLATFORM FRAMEWORK

CABLE ACCESS PANEL

TROUGHING

GRP FLOORING



DO NOT SCALE
IF IN DOUBT ASK

THE COPYRIGHT OF DESIGNS, DETAILS AND PROPOSALS CONTAINED OR
IMPLIED IN THIS DRAWING ARE VESTED IN FRANCIS & LEWIS INT'L LTD
& MUST NOT BE USED, COPIED OR CONVEYED TO THIRD PARTIES WITHOUT
THEIR PERMISSION IN WRITING. UNREGISTERED DESIGN RIGHTS APPLY.

ALL WELDS TO BE CONTINUOUS
I.E. "PICKLE FREE"

REMOVE ALL SHARP
EDGES AND BURRS

ENSURE ALL HARD STAMP CHARACTERS
ARE VISIBLE AFTER GALVANISATION

UNLESS OTHERWISE STATED:-
MATERIAL:- GRADE AS PER FLI LTD FORM 11G
FINISH:- GALVANISED TO BS EN ISO 1461
DIMENSIONS:- MILLIMETRES (mm)
WELD INSP:- AS PER NISS LATEST EDITION ANNEX 'B'
TOLERANCES:-
CUT LENGTH = ±2mm
HOLE CENTRES = ±2mm
ANGULAR CUT = ±0.25°
FABRICATED ASSY = ±3mm
PCD = ±1mm

CERTIFIED TO EXECUTION CLASS EXC2

NON PRELOADED BOLTING ASSEMBLIES TO BS EN 15048-1

NOTES:-

ISSUE	DATE	MODIFICATION	CKD
A	-	FIRST ISSUE	-

FLI structures

FRANCIS & LEWIS INTERNATIONAL LTD
TEL: +44 (0)1452 722200 WEB: WWW.FLI.CO.UK

DATE: 08/11/22	SCALE: NTS	F&L REF: -
DRN: HN	CKD: -	APP'D: -
CUSTOMER: -----		
ORDER No. -----		
TITLE SKETCH OF LOC PLATFORM		
DRG No. -----		REV. -